



2+



6



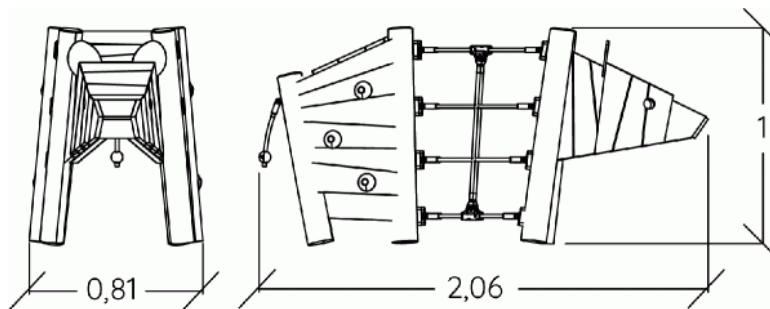
1m



1 = 2,06m  
2 = 0,81m  
3 = 1m



Motor inclusion  
Sensory inclusion  
Mental inclusion



Play value :

6

climbing



x1

role play



x1

meeting



x1

crawling



x1

hiding



x1


climbing



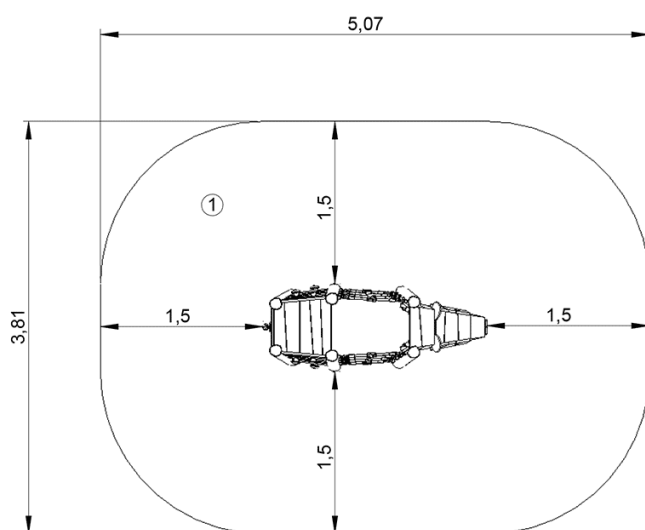
x1



## Installation of equipment

**IMPORTANT:** It is essential to refer to the installation instructions for information on the size of the safety areas.

 Impact area (minimum normative surface)

 Free space



		
1	1m	17,5m <sup>2</sup>



2



01h00



0.2m<sup>3</sup>



17.5m<sup>2</sup>



302kg



292kg

